



## SPECIAL FUNCTIONALITY IN E<sup>3</sup>.viewer family

- View original E<sup>3</sup>.series files (.e3s)
- View E<sup>3</sup>.series viewer files (.e3v)
- Display E<sup>3</sup>.series project structure
- Display bill-of-materials
- Highlight devices, symbols, cables, wires, text and attributes
- Jump-to devices and signals
- Display device, symbol and connection properties
- Display all embedded documents
- Track signals and highlight nets
- Display grid and rulers

### E<sup>3</sup>.viewer+

- Supports all E<sup>3</sup>.view functionality
- Switch languages in viewer files
- Control visibility of levels
- Add custom commands and functions

### E<sup>3</sup>.redliner

- Supports all E<sup>3</sup>.viewer+ functionality
- Insert graphics and text
- Copy and insert sub-circuits as graphics
- Create E<sup>3</sup>.redliner information for transferring back to the original design

## E<sup>3</sup>.viewer family - View and markup for E<sup>3</sup>.series designs

### Introduction

Zuken's E<sup>3</sup>.series is used for documenting and detailing electrical and fluid design projects. Its flexibility supports the entire process from definition and design, through manufacturing and maintenance. Its unique object-oriented architecture ensures all stages of the design are fully synchronized.

### E<sup>3</sup>.viewer

A free-of-charge viewer used to view native E<sup>3</sup>.series (.e3s) project files and read-only (.e3v) viewer files. The viewer uses the same GUI as the main E<sup>3</sup>.series application and includes all the standard search and highlight functions. Users can also print and plot from the viewer application.

### E<sup>3</sup>.viewer+

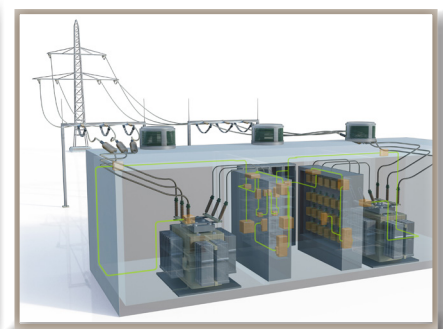
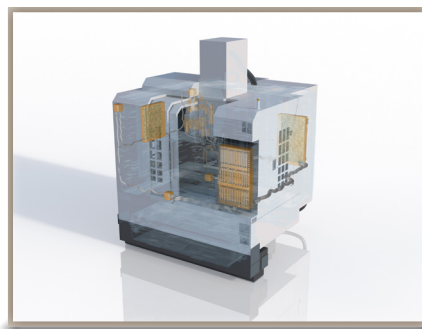
Includes all the functionality of E<sup>3</sup>.viewer along with additional controls for manipulating visibility within the project. Users can turn on and off visible levels and change the displayed language within the project file. It is also possible to configure the menu and add customer-required reports.

### E<sup>3</sup>.redliner

Includes all the functionality of E<sup>3</sup>.viewer and E<sup>3</sup>.viewer+ and also allows users to create markup detail within either .e3s or .e3v files. Users can copy circuitry, add graphics and annotate recommended field or production changes for the design team.

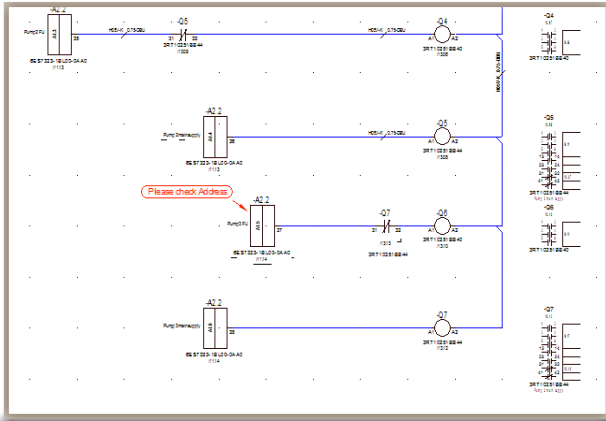
### Supported industries

The E<sup>3</sup>.viewer family is supported in all E<sup>3</sup>.series modules and is ideal for production and field service integration. The viewers can also be shared with the supply chain.



## Viewer files

In order to protect intellectual property, E<sup>3</sup>.series creates read-only .e3v files. These files can be shared with field, service and supply teams and can only be used in conjunction with the E<sup>3</sup>.viewer family. The data cannot be copied or modified by any third party software.



Intelligent redline functionality

## Multi-user viewer

The E<sup>3</sup>.viewer family can be deployed in an E<sup>3</sup>.series multi-user environment, where authorized viewers can even view work-in-progress projects.

## Service and field communication

The viewer family includes print and plot functionality enabling shop floor and production teams to view and print the latest drawings without interrupting the design team.

## Redline annotation

The markup data created by the user in the E<sup>3</sup>.redliner module can be extracted into an E<sup>3</sup>.redliner (.e3r) file. This file, when read back into the main E<sup>3</sup>.series project, will overlay the field changes in the drawing. Users may then navigate to all recommended changes for checking and incorporating back into the main design.



## Additional E<sup>3</sup>.series options

### E<sup>3</sup>.schematic

The core module of the E<sup>3</sup>.series suite enables the creation of schematic diagrams for electrical control systems.

### E<sup>3</sup>.cable

Provides enhanced functionality for designing cables and cable harnesses. Different views of the design enable specific documents to be created for production, start-up and service.

### E<sup>3</sup>.panel

For general arrangement drawings of cabinet enclosures. Work in either 2D or 3D, place devices, cable ducts and mounting rails and prepare panels for manufacture.

### E<sup>3</sup>.formboard

Creates build-to-print detailed 1:1 harness designs; linked dynamically to E<sup>3</sup>.cable drawings.

### E<sup>3</sup>.3D Routing Bridge

Transfer wire, cable and cable harness information to 3D MCAD systems. After routing, the individual wire lengths can be transferred back to E<sup>3</sup>.series.

### E<sup>3</sup>.topology

Evaluate system harnesses early in the design flow for factors such as length, weight and cost. Enables tradeoff analysis of harnesses and sub-harnesses to optimize manufacturing performance and cost.